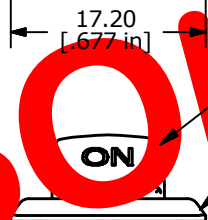
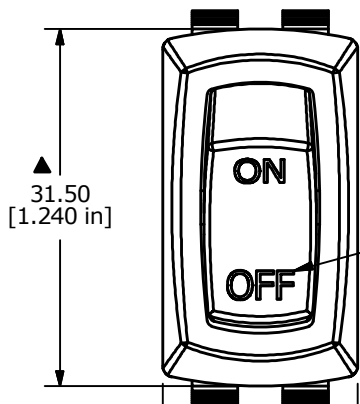
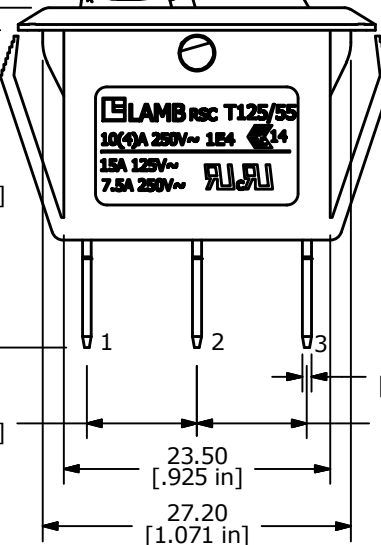
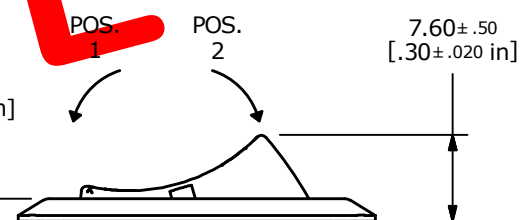


SUGGESTED PANEL CUTOUT

SWITCH FUNCTION	
POS. 1	POS. 2
ON	ON
2-3	2-1



BLACK ACTUATOR  
BLACK HOUSING



NOTES:

1. ALL DIMENSIONS IN MM [INCH]
2. GENERAL TOLERANCE: X.X=±0.4  
X.XX=±0.25
3. TERM. NOS. FOR REF. ONLY
- ▲ 4. RATING: 15A @ 125VAC T105 [cURus]  
10(4)A @ 250V~ 1E4 T85/55 [ENEC10, VDE]  
15A @ 125VAC [NOM]
5. MATERIAL:  
CONTACT SURFACE: SILVER PLATED COPPER  
CIRCUIT TERMINAL: BRASS ALLOY w/SILVER PLATE
6. ELECTRICAL LIFE: 10,000 CYCLES MIN.
7. CONTACT RESISTANCE: 20 mΩ MAX.
8. INSULATION RESISTANCE: 1,000 MΩ MIN. @ 500VDC
8. OPERATING TEMP: -20°C TO 85°C @ 1A 5VDC
9. DIELECTRIC STRENGTH: >1,000V AC 1MIN
10. ▲ DENOTES CRITICAL PARAMETER.
11. 2002/95/EC (ROHS) COMPLIANT.

OBSOLETE  
January 2018  
PCR 23169



TITLE RSC293C1123				
SCALE	DATE 9/26/2013	DR EBP	DWG 38-RSC293C1123	REV A

A	21244	INITIAL RELEASE	9/26/13	EBP
REV	PCR NO	DESCRIPTION	DATE	BY

THE INFORMATION CONTAINED IN THIS DOCUMENT IS PROPRIETARY TO E-SWITCH AND IS NOT TO BE COPIED OR TRANSFERRED